



**FPI60 / FPI65
FPI70 / FPI75
SERIES**

LARGE OPENING HEAVY
DUTY CRIMPER

FINN•POWER
Crimping since 1973

TECHNICAL SPECIFICATIONS

	FP160	FP165	FP170	FP175
Crimping range Ø (inch)	0.39"-7.95"	0.39"-7.95"	0.39"-12.6"	0.39"-12.6"
Max. crimping force (tonnage)	350	500	660	830
Control	UC	UC	UC	UC
Max. opening (inch)	+ 4.92"	+ 4.92"	+ 6.10"	+ 6.10"
Master die shoe length (inch)	4.57"	4.57"	8.66"	8.66"
Motor (HP)	7.5	7.5	10	15
Standard voltages (V)	480	480	480	480

Overall dimensions	FP160	FP165	FP170	FP175
	crimping unit			
Length (inch)	37"	41.7"	47.3"	47.3"
Width (inch)	33.9"	33.9"	36.9"	36.9"
Height (inch)	70.1"	71.9"	81.9"	81.9"
Weight (pounds)	4409*	5423*	9436*	9700*

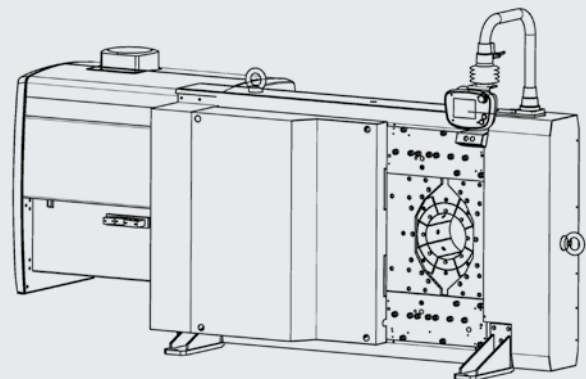
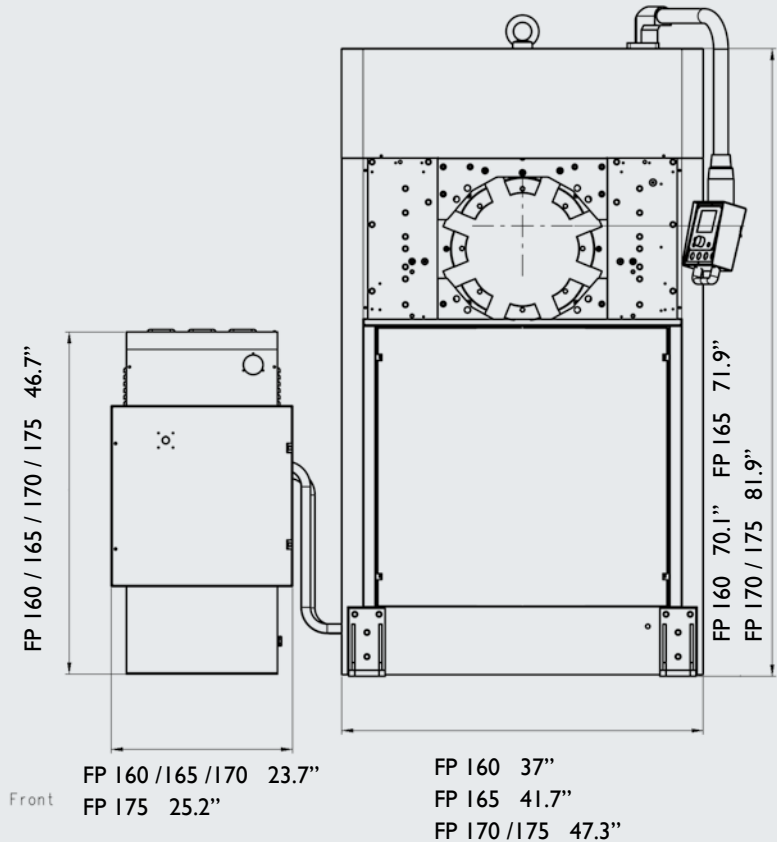
FP160-Distance from floor to the crimping center point is 49.8".

FP165-Distance from floor to the crimping center point is 51.5".

FP170, FP175-Distance from floor to the crimping center point is 58.8".

Overall dimensions	FP160	FP165	FP170	FP175
	hydraulic unit			
Length (inch)	23.7"	23.7"	23.7"	25.2"
Width (inch)	41.6"	41.6"	41.6"	45.5"
Height (inch)	46.7"	46.7"	46.7"	46.7"
Weight (pounds)	402*	402*	684*	772*

FP160 / FP165 / FP170 / FP175



Horizontal construction is available upon request.

Contact Lillbacka USA for further information on the horizontal view series.

* depending upon machine configuration

Subject to changes without prior notice.

KEEP CONTROL



FINN-POWER UC CONTROL

The most advanced crimping control in the world

Finn-Power UC control is a modern user interface based on icons, a selector and clear, visual indication of all crimping parameters. Basic functions quick and easy to use. Extends up to the online quality monitoring.

EASY BASIC USE

- exact and logical navigation
- most commonly used functions easily on hand
- tool change wizard
- tool change alarm

DATA STORAGE

- for crimping parameters and die sets
- USB availability
- Microsoft-compatible file format

COUNTERS

- ascending / descending piece counting

ENERGY SAVING

- stand-by function

CONNECTIVITY

- USB
- ethernet (FTP)

EXPANDABILITY

- pressure crimping
- multi-step crimping
- online quality monitoring

STANDARD FEATURES & OPTIONS

STANDARD FEATURES

- diameter crimping; diameter, retraction, correction, delay
- USB connection / Ethernet connection
- manual / automatic mode
- tool change wizard
- data storage
- user-friendly navigation
- ascending / descending counters
- die position displayed
- user levels
- energy saving mode
- units; mm or inch
- brightness and contrast control
- extension possibilities

UC1, PRESSURE CRIMPING

- ideal when parts with large tolerances or sensitive materials need to be crimped
- measuring from the pressure
- can also be used with crimping by diameter

UC2, MULTI-STEP CRIMPING

- ideal when part has to be crimped into several different diameters
- step crimping by diameter
- step crimping by pressure

UC3, ONLINE QUALITY MONITORING

- online quality control; automatic / manual corrections
- out of limit -functions; locking / alarm
- data collection
- data transfer; USB / FTP



FINN-POWER

Crimping since 1973

With over 40 years of manufacturing experience Lillbacka Powerco has been producing Finn-Power crimping machines to meet the requirements of a variety of applications, particularly those which demand repeatability and high accuracy. Finn-Power crimpers are utilized globally in such industries as hydraulic hoses, automotive components, construction equipment, heavy machinery, railroad, marine, electric power transmission, industrial hoses and tube, pipe, wire and cable industries. Generally wherever metals, plastics, rubber, fiberglass, wood and ropes are joined or formed Finn-Power products are the logical choice.

HEAVY DUTY CRIMPING



Main features

- Large opening
- Power for heavy applications
- Finn-Power UC – the most advanced crimping control in the market
- Quick and precise crimping
- Consistent accuracy and repeatability
- Free placement of the operating unit

FINN•POWER

Crimping since 1973



Lillbacka USA,
1629 Prime Court, Suite 400
Orlando, FL 32809 U.S.A.
Phone 847-301-1300
Fax 847-301-2562
sales@lillbackausa.com
www.lillbackausa.com

